

360 Series

Adjustable Pressure Switch • 316 Stainless Steel

Explosion Proof • Hermetically Sealed • NEMA 7 and 9

New!

General Description

United Electric's 360 Series adjustable pressure switch is a compact design for low, mid and high-pressure applications. The housing and pressure port are made of 316 Stainless Steel. The electrical enclosure is a welded, hermetically sealed, explosion proof assembly available as a single pole double throw (SPDT) or double pole double throw (DPDT) configuration. An internal, slotted pressure adjustment wheel is accessible through a tethered cover plate. The combination of 316 Stainless Steel construction and hermetically sealed switching make the 360 Series particularly well suited for oil & gas, offshore platforms and safety panels as well as hazardous environments for pipeline and process applications.



Agency Approvals:



CSA and NRTL/C certified for use in Class I, Div. 1, Groups A, B, C, & D, and Class II, Div. 1, Groups E, F, & G, for hazardous locations

CENELEC Rating EEx d IIC T6 – Flameproof
CE compliance to low voltage directive (LVD)
Compliance to NACE

Ranges:

| Range Code | Adjustable Range Lower end of range on fall High end of range on rise | | Deadband (typical) | | Max. System Pressure | | Proof Pressure | |
|--|---|------------|--------------------|-------------|----------------------|-----|----------------|------|
| Model 360 , 316 stainless steel 1/4" NPT female pressure connection and welded Inconel® diaphragm. | | | | | | | | |
| | psig | bar | psig | bar | psig | bar | psig | bar |
| A | 2 to 22 | 0,1 to 1,5 | 0.4 to 3.5 | 0,03 to 0,2 | 600 | 41 | 1200 | 82 |
| B | 12 to 90 | 0,8 to 6 | 1 to 12 | 0,07 to 0,8 | 600 | 41 | 1200 | 82 |
| Model 362 , 316 stainless steel 1/4" NPT female pressure connection and Teflon®, ArtCup™, stainless steel piston and Buna-N O-ring | | | | | | | | |
| A | 55 to 300 | 3 to 20 | 10 to 35 | 0,7 to 2 | 3000 | 206 | 4500 | 310 |
| B | 150 to 650 | 10 to 44 | 15 to 75 | 1 to 5 | 3000 | 206 | 4500 | 310 |
| Model 361 , 316 stainless steel 1/4" NPT female pressure connection and filled Teflon®, ArtSeal™, stainless steel piston and Buna-N O-ring. | | | | | | | | |
| A | 475 to 1500 | 32 to 103 | 50 to 325 | 3 to 22 | 6500 | 448 | 18500 | 1275 |
| B | 900 to 3000 | 62 to 206 | 80 to 600 | 5,5 to 41 | 9000 | 620 | 18500 | 1275 |
| C | 1800 to 9000 | 124 to 620 | 150 to 2000 | 10 to 137 | 10000 | 689 | 18500 | 1275 |

Burst Pressure tested at 2.5 times maximum system pressure. Specifications subject to change.

Specifications

Operating Ambient

Temperature: -65° to 185°F (-54° to 85°C)

Enclosure: 316 stainless steel

Electrical Ratings: 5 A @ 125/250 VAC, 5 A resistive and 3 A inductive @ 28 VDC.

Media Temperature: -65° to 250°F (-54° to 121°C)

Enclosure Classification: Division 1 products meet enclosure type 7 & 9 classifications

Electrical Connection: ½" NPT (male) with 72" leadwires

Weight: Approximately 29 ounces (0,82 kg)

Switch Output: Code S: One SPDT, hermetic seal
Code D: Two SPDT for DPDT action.

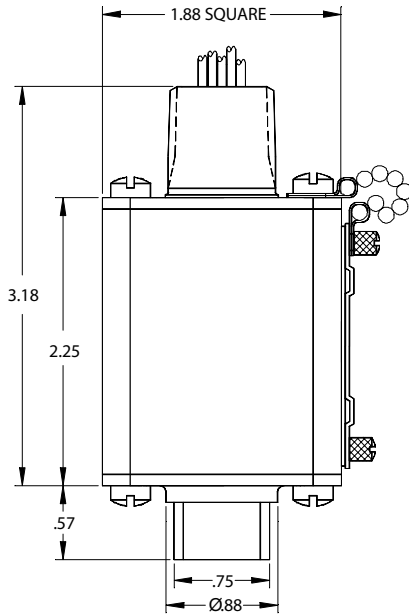
Inconel® is a registered trademark of the INCO family of companies

ArtSeal™ and ArtCup™ are trademarks of United Electric Controls

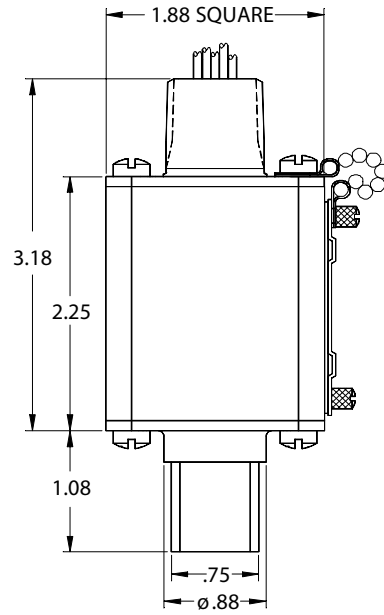
UE UNITED ELECTRIC CONTROLS

Explosion Proof • Hermetically Sealed • Adjustable Pressure Switch

Dimensional Drawings:



Model 360



Models 361 & 362

How To Order

Select letter or number codes to make up part number

| Part # | 361 Model | 1 Pressure Connection | B Range | S Switch Output | 1 Enclosure Material | M201 Options |
|----------------------------|---|-----------------------|---------|-----------------|----------------------|--------------|
| Code | Description | | | | | |
| Model Designation | | | | | | |
| 360 | Low Pressure Switch | | | | | |
| 361 | High Pressure Switch | | | | | |
| 362 | Mid Pressure Switch | | | | | |
| Pressure Connection | | | | | | |
| 1 | 1/4" NPT female (standard) | | | | | |
| 2 | 1/2" NPT female | | | | | |
| Range | | | | | | |
| A,B,C | See model chart for range specifications | | | | | |
| Switch Output | | | | | | |
| S | SPDT | | | | | |
| D | DPDT | | | | | |
| Enclosure Material | | | | | | |
| 1 | 316 stainless steel | | | | | |
| Options | | | | | | |
| 0140 | Gold flashed contacts, 1 A @ 125 VAC resistive | | | | | |
| M201 | Factory set switch, specify increasing or decreasing pressure | | | | | |
| NC1 | NACE Certificate | | | | | |

UE UNITED ELECTRIC CONTROLS

180 Dexter Avenue
 Watertown, MA 02472
 617-926-1000, Fax 617-926-4354
<http://www.ueonline.com>